



BP Exploration (Alaska) Inc.
900 East Benson Boulevard
P. O. Box 196612
Anchorage, Alaska 99519-6612

August 7, 2017

DOG Permitting
Alaska Department of Natural Resources
Division of Oil and Gas
550 W. 7th Ave., Suite 800
Anchorage, Alaska 99501-3577

Amendment to Unit Plan of Operations
LO/NS 69-026
H Pad Expansion for Drilling Rig Access

DOG Permitting:

BP Exploration (Alaska) Inc. (BPXA) proposes to place gravel fill into Waters of the United States (US) to expand the pad at H Pad, located in the Western Operating Area (WOA) of the Prudhoe Bay Unit (PBU). In support of this request, enclosed you will find the following:

- Project Description/Plan of Operations
- State of Alaska ADNR/DOG Lease/Unit Plan of Operations Application including project figures

Please note that this project is not mentioned in the Unit Plan of Development (POD), as the POD covers reservoir development activities, not routine operations and maintenance activities. If you have any questions or require additional information, please contact Pauline Ruddy at (907) 564-5328, Pauline.Ruddy@bp.com or Jennifer Collins at (907) 564-5524, Jennifer.Collins@bp.com.

Sincerely,

A handwritten signature in blue ink, appearing to read 'AW', with a long horizontal line extending to the right.

Abigail Warren, Coiled Tubing Drilling Superintendent
BP Exploration (Alaska) Inc

Attachments

Project Description/Plan of Operations
WOA Pad Expansions – H Pad
Project Description

BP Exploration (Alaska) Inc. (BPXA) proposes to place gravel fill into Waters of the United States (US) to expand H Pad, located in the Western Operating Area (WOA) of the Prudhoe Bay Unit (PBU).

Purpose

The purpose of this project is to provide the necessary access for safely maneuvering larger drilling rigs to access existing wells on the drilling pad. The expansion is necessary to maintain on-going oil and gas production. The gravel pad expansion will result in a minor deviation in the structure's original configuration and is necessary to accommodate new drilling rigs (new well drilling methods) currently being used in the Prudhoe Bay Unit. The proposed fill area accounts for maximum acreage and fill volume to reach each well currently located at H Pad. BPXA will avoid and minimize fill into Waters of the US by only completing pad expansions on a well by well incremental basis.

Scope of Proposed Activities

The project scope will consist of the following:

- Gravel will be placed over tundra, at incremental amounts only as necessary, up to approximately 0.5 acres of Waters of the US.
- Up to approximately 7,400 total cubic yards of gravel from permitted sources will be used for the pad expansion.
- Equipment will work from the existing pad and will consist of wheel loaders, dump trucks, and road graders.

Schedule

The project is scheduled to begin in December 2017 and conclude in December 2022.

- Gravel will be placed over 0.5 acres of tundra at H Pad.
- Approximately 7,400 cubic yards of gravel from permitted sources will be used for the H Pad expansion.
- Equipment will work from the existing pad and will consist of wheel loaders, dump trucks, and road graders

SECTION V: LAND STATUS

1. State Mineral Estate:

Are supplemental pages for land status included in Appendix C? Yes No

Affected ADL: 028284 Date Effective: 9/1/1965 Date Assigned:

Oil And Gas Lessee(s): BP Exploration (Alaska) Inc.

Surface Ownership: State of Alaska

Do you have, or anticipate having an Access Agreement: No

Special Use Lands: N/A

Jointly Managed Lands: N/A

Other Considerations: N/A

Project Components	Meridian, Township, Range, And Section(s)	GPS Coordinates
H Pad Gravel Expansion	Umiat, T11N, R13E, Section 21	Lat: 70.296522 Long -148.843060
		Lat: Long
		Lat: Long

2. State of Alaska Surface Lands:

Are supplemental pages for land status included in Appendix C? Yes No

Oil And Gas Mineral Estate Owner: N/A

Access Authorization(s):

Special Use Lands:

Jointly Managed Lands:

Other Considerations:

Project Components	Meridian, Township, Range, And Section(s)	GPS Coordinates

3. Private Lands:

Are supplemental pages for land status included in Appendix C? Yes No

Oil And Gas Mineral Estate Owner: N/A

Surface Ownership And Access Agreement(s):

Special Use Lands:

Jointly Managed Lands:

Other Considerations:

Project Components	Meridian, Township, Range, And Section(s)	GPS Coordinates

SECTION VI: SEQUENCE AND SCHEDULE OF OPERATIONS

Project Milestone #	Project Milestone	Proposed Start Date	Proposed End Date
1.	Place 7,400 cubic yards of gravel over 0.5 acres of tundra at H Pad	12/1/2017	11/30/2022
2.			
3.			
4.			
5.			
6.			
7.			
8.			
9.			
10.			

SECTION VII: PROJECTED USE REQUIREMENTS

1. Describe the proposed operations, including the location and design, of Well Sites:

Gravel will be placed over 0.5 acres of tundra at H Pad. Approximately 7,400 cubic yards of gravel from permitted sources will be used for the H Pad expansion.

2. Describe the proposed operations, including the location and design, of Buildings:

N/A

3. Describe the proposed operations, including the location and design, of Fuel and Hazardous Substances:

N/A

4. Describe the proposed operations, including the location and design, of Solid Waste Sites:

N/A

5. Describe the proposed operations, including the location and design, of Water Supplies:

N/A

6. Describe the proposed operations, including the location and design, of Utilities:

N/A

7. Describe the proposed operations, including the location and design, of Material Sites:

N/A

8. Describe the proposed operations, including the location and design, of Roads:

N/A

9. Describe the proposed operations, including the location and design, of Airstrips:

N/A

10. Describe the proposed operations, including the location and design, of All Other Facilities and Equipment:

Gravel will be placed over 0.5 acres of tundra at H Pad. Approximately 7,400 cubic yards of gravel from permitted sources will be used for the H Pad expansion.

11. If another permit(s) is required for the above described Projected Use Requirements, provide the following information:

Agency	Permit Type	Permit Number	Application Status	Projected Use Requirement(s)
US Army Corps of En	Nationwide Permit	In process	In process	None
North Slope Borough	Development Pernit	In process	In process	None

SECTION VIII: REHABILITATION PLAN

1. Proposed Level of Infrastructure, Facilities and Equipment Removal:

No change to original plan.

2. Description of Restoration and Rehabilitation Activities for Vegetation, Habitat, Impacted Wildlife, and Other Applicable Resources:

No change to original plan.

SECTION IX: OPERATING PROCEDURES DESIGNED TO MINIMIZE ADVERSE EFFECTS

Describe operating procedures designed to prevent or minimize adverse effects on other natural resources and other uses of the Lease area and adjacent areas including:

Fish and Wildlife Habitats: N/A

Historic and Archeological Sites: N/A

Public Use Areas: N/A

SECTION X: GLOSSARY OF TERMS

Term #	Term	Term Definition
1.		
2.		
3.		
4.		
5.		
6.		
7.		
8.		
9.		
10.		

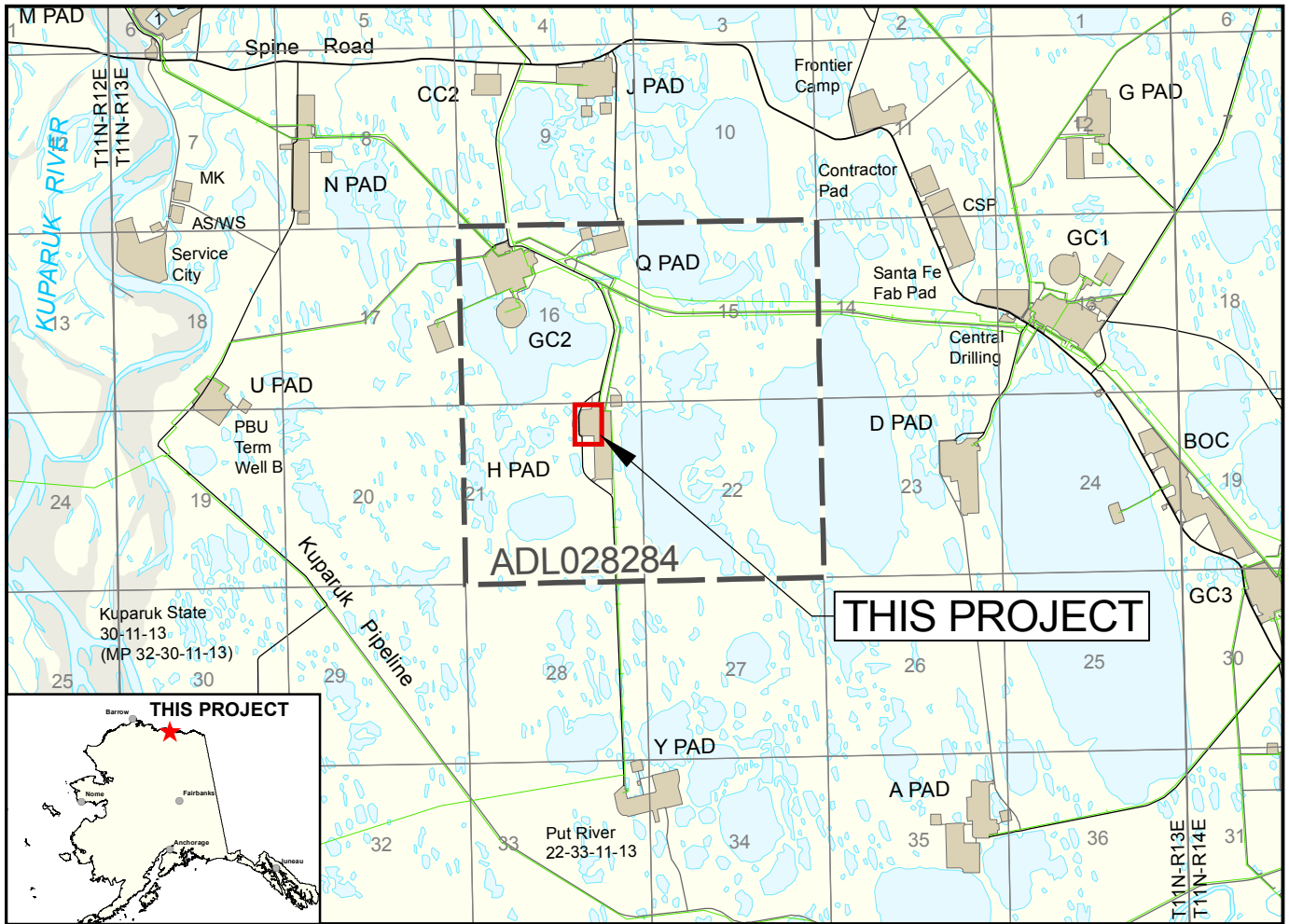
SECTION XI: CONFIDENTIALITY

The undersigned hereby requests that each page/section of this application marked confidential be held confidential under AS 38.05.035(a)(8).

APPLICANT CONTACT:

	Abigail Warren	CTD Superintendent	7/26/2017
Signature	Name	Title	Date

See attached figures.



This map is based on U.S.G.S quad Beechey Point (B-4) and on the Unit Operator's Facility Maps.



PROJECT LOCATION:

PRUDHOE BAY UNIT - H PAD
 NAD83
 LAT. = 70° 17' 47.479" / DD 70.296522
 LONG. = -148° 50' 35.017" / DD -148.843060

ALASKA STATE PLANE ZONE 4, NAD83
 X = 1,783,279.23 FEET
 Y = 5,959,233.99 FEET

SEC. 21 T11N, R13E UMIAT M.
 ADL # 028284

DATUM: MEAN SEA LEVEL

PURPOSE: GRAVEL EXPANSION

ADJACENT PROPERTY OWNER:
 STATE OF ALASKA

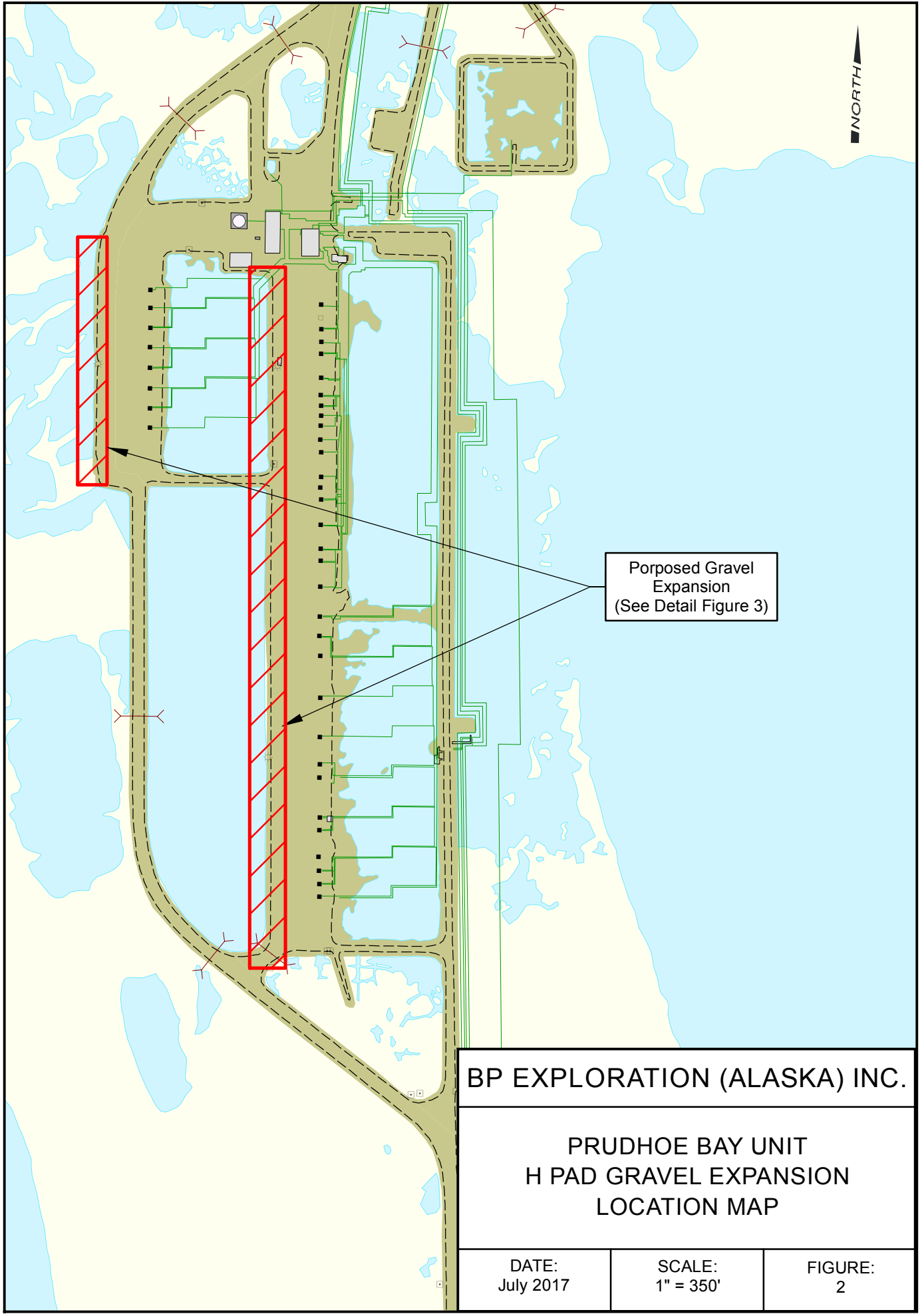
BP EXPLORATION (ALASKA) INC.

**PRUDHOE BAY UNIT
 H PAD GRAVEL EXPANSION
 VICINITY MAP**

DATE:
 July 2017

SCALE:
 1" = 1 Mile

FIGURE:
 1



NORTH

Proposed Gravel
Expansion
(See Detail Figure 3)

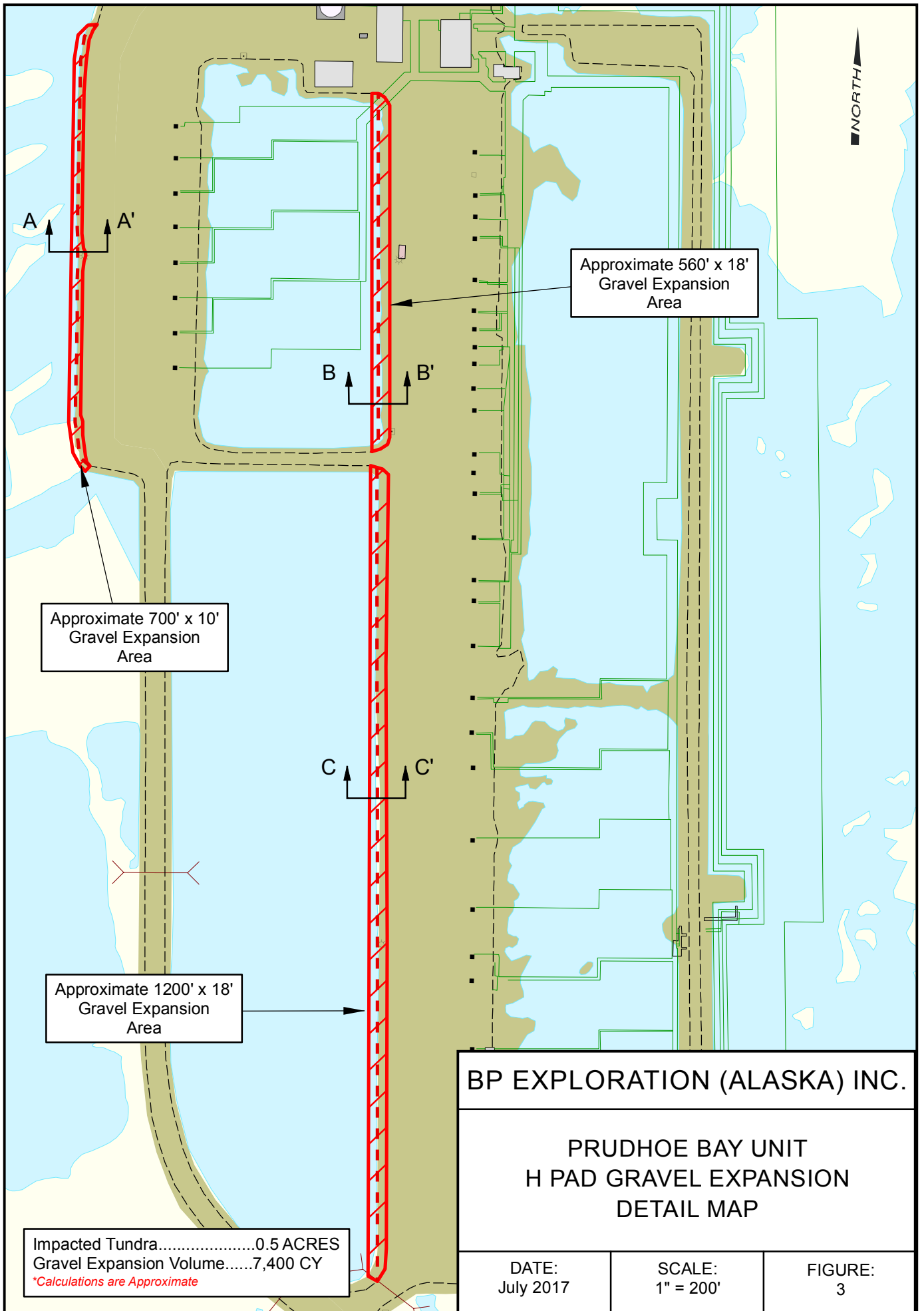
BP EXPLORATION (ALASKA) INC.

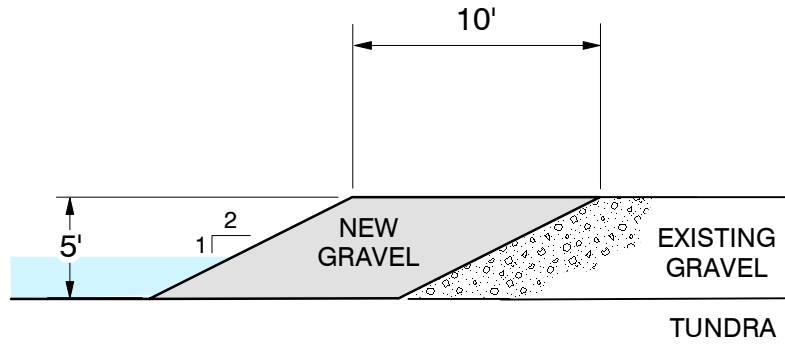
PRUDHOE BAY UNIT
H PAD GRAVEL EXPANSION
LOCATION MAP

DATE:
July 2017

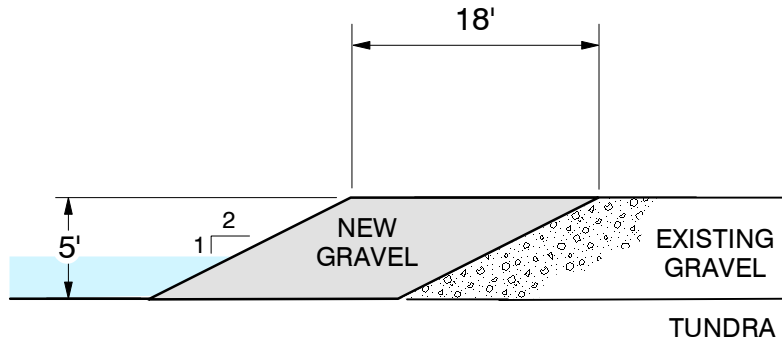
SCALE:
1" = 350'

FIGURE:
2

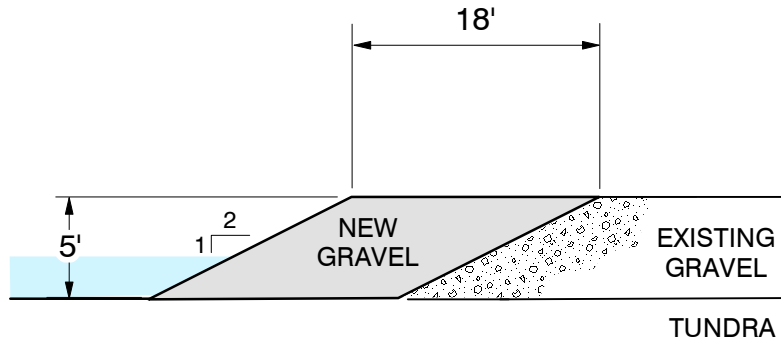




GRAVEL EXPANSION A-A'



GRAVEL EXPANSION B-B'



GRAVEL EXPANSION C-C'

BP EXPLORATION (ALASKA) INC.

**PRUDHOE BAY UNIT
H PAD GRAVEL EXPANSION
CROSS SECTIONS**

DATE:
July 2017

SCALE:
NOT TO SCALE

FIGURE:
4

ALL DIMENSIONS ARE APPROXIMATE